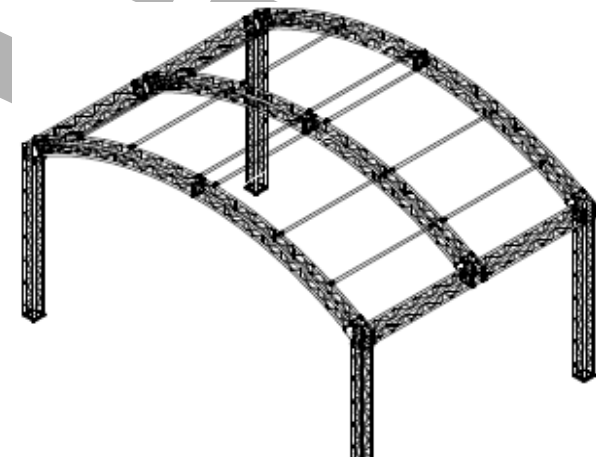
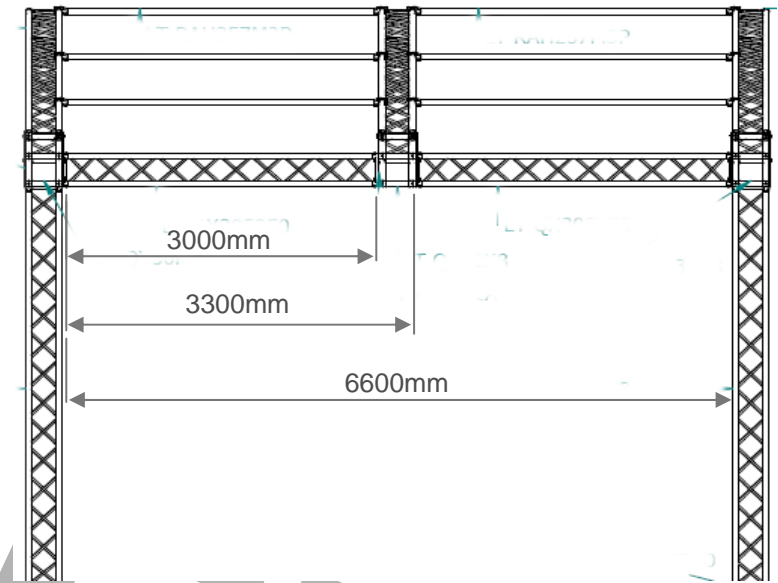
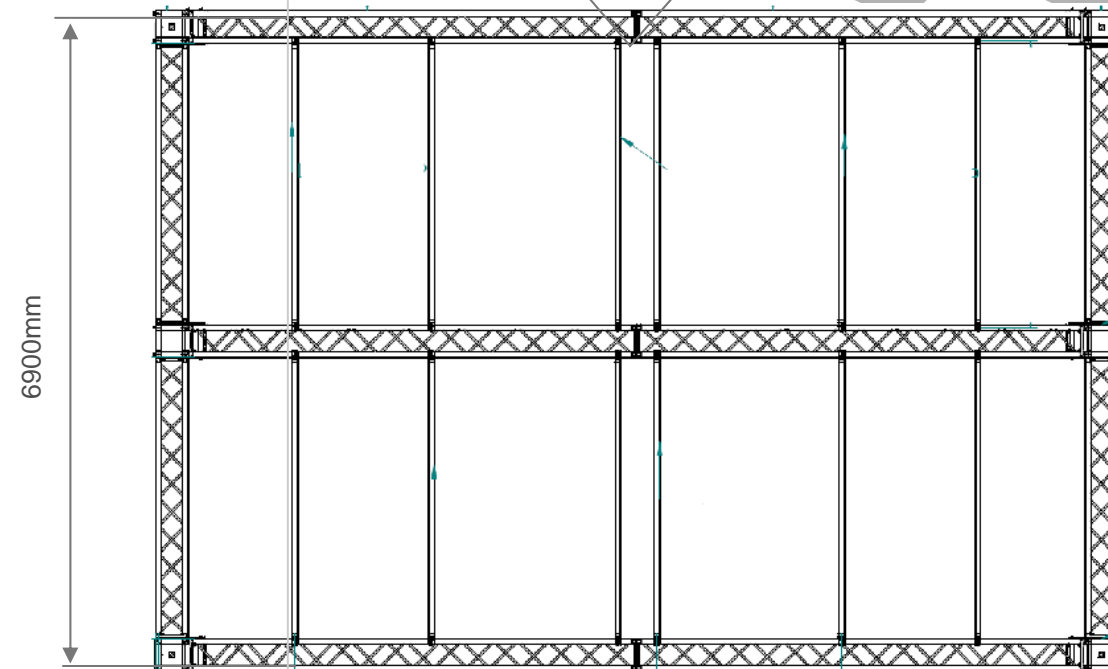
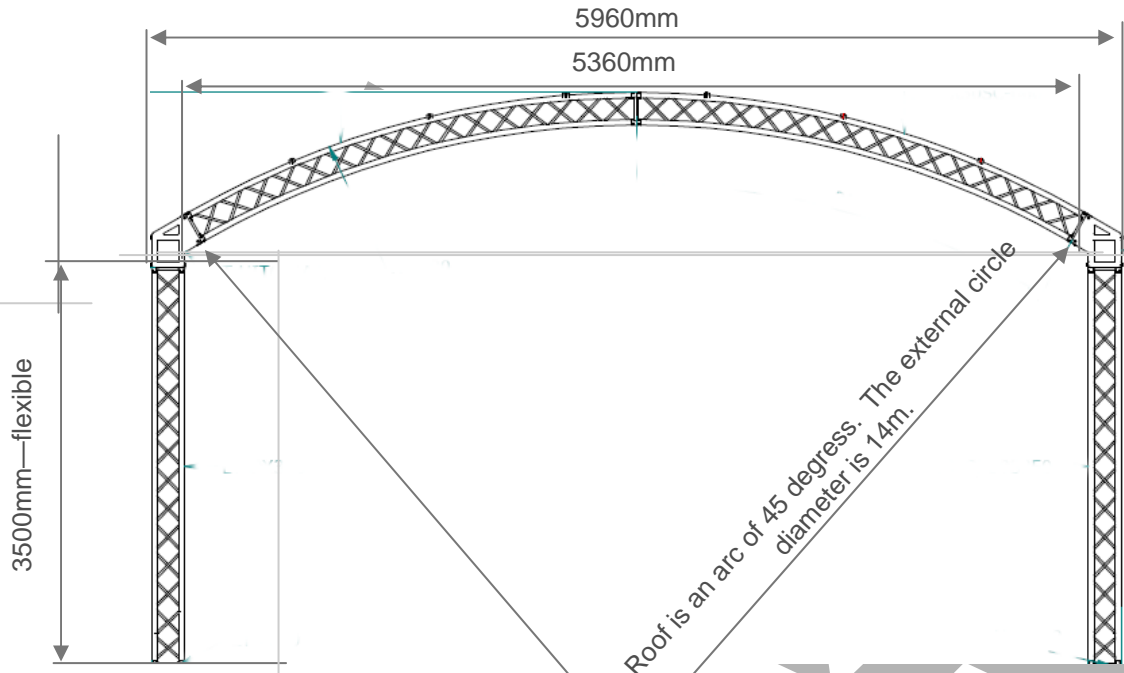


SXS Arched Roof Stage, 6m x 6m—Draft Only



Product:	SXS 6m x 6m Outdoor Stage
Date:	December 11th 2009
Drawing Status:	Draft Only
Designed by:	Johnny Palmer BA
Material:	Trusses: Litec QX30s; Corners: Litec QX30s Dados Angle Section: 6mm mild steel, Canopies: 500GSM Black PVC